

*Harrier*  
*48*

---

**CODE 481A**  
**(Electric Start)**

**OWNER'S HANDBOOK**

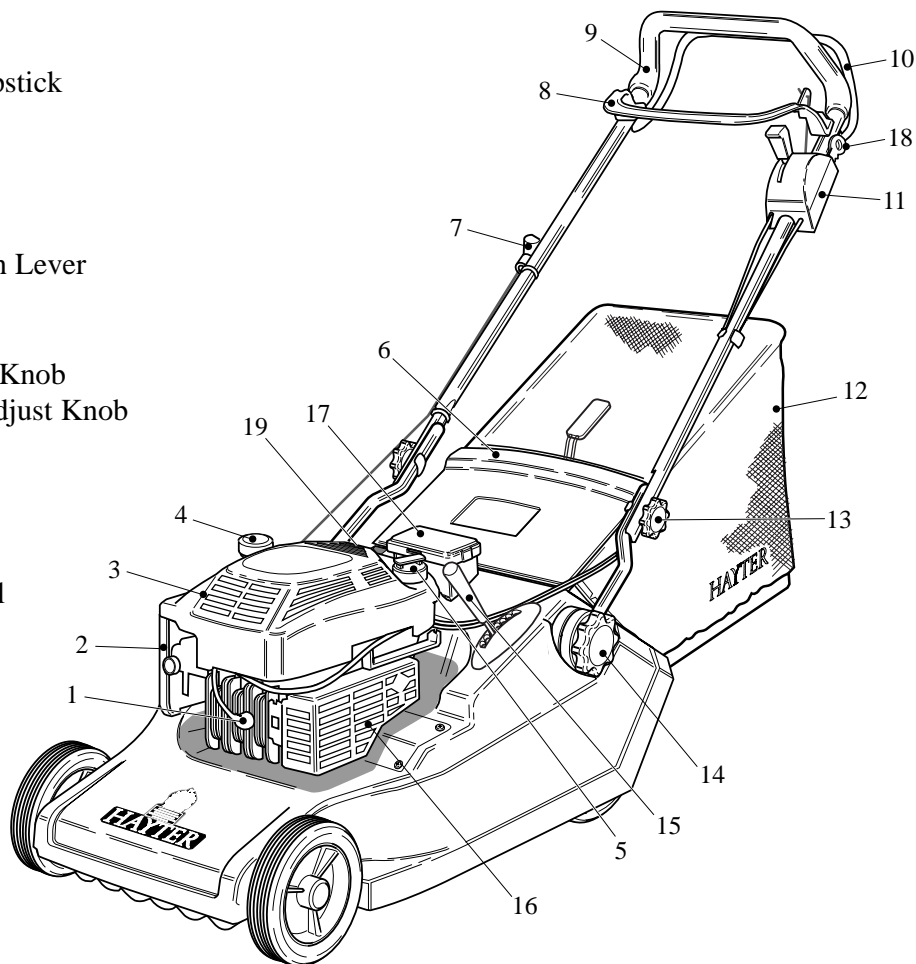
**(English Version)**  
**FROM SERIAL NO: 481A001001**  
**Issue : 22.10.01**

**HANDBOOK: 481145 (Rev.1.)**

# MAIN FEATURES / SPECIFICATIONS

## Main Features

1. Spark Plug Lead
2. Air Cleaner
3. Engine Cover
4. Fuel Cap
5. Oil Filler Cap & Dipstick
6. Rear Deflector
7. Engine Start Grip
8. Engine Stop Lever
9. Handlebar
10. Ground Drive Clutch Lever
11. Throttle Control
12. Grassbag Assembly
13. Handlebar Securing Knob
14. Handlebar Height Adjust Knob
15. Height of Cut Lever
16. Muffler Guard
17. Battery
18. Ignition Key
19. Serial Number Decal



## Specifications

<b>MODEL</b>	CODE 481A - Auto Drive Electric Start
<b>Engine</b>	Briggs & Stratton Diamond XTL-45
<b>Engine Type</b>	12L887-1562-21
<b>Engine / Cutterblade Speed</b>	2800 rpm
<b>Fuel Type</b>	Unleaded Petrol
<b>Fuel Capacity</b>	1.5 litres
<b>Oil Type</b>	SAE 30 engine oil
<b>Oil Sump Capacity</b>	0.6 litres
<b>Width of Cut</b>	480mm
<b>Height of Cut</b>	12 - 65mm
<b>Overall Dimensions</b>	1044 x 514 x 1377mm
<b>Dry Weight</b>	50 Kg

# CONTENTS

- 1.1 Main Features/Specifications**
- 1.2 Contents**
- 1.3 Introduction**
- 1.4 Warranty**
- 1.5 - 1.8 Safety Precautions**
  - 1.8 Safety Symbols**
  - 1.8 Decal Symbols**
  - 1.9 Assembling the Mower**
    - 1.9 - *Delivery Checklist*
    - 1.9 - *Handlebar*
    - 1.9 - *Adjust Handlebar Height*
    - 1.9 - *Grassbag Attachment*
  - 1.10 Before Starting the Engine**
    - 1.10 - *Prevent Engine Damage*
    - 1.10 - *Oil Type*
    - 1.10 - *Check Oil Level*
    - 1.10 - *Fuel Type*
- 1.11 - 1.14 Operating The Mower**
  - 1.11 - *Controls*
  - 1.11 - *Starting Step 1*
  - 1.11 - *Step 2*
  - 1.11 - *Step 3*
  - 1.12 - *Forward Travel*
  - 1.12 - *Turning*
  - 1.12 - *Stopping*
  - 1.12 - *Slopes*
  - 1.13 - *Height of Cut*
  - 1.13 - *Before Mowing*
  - 1.13 - *Grassbag*
  - 1.13 - *Without Grass Collection*
  - 1.14 - *Heavy Growth*
  - 1.14 - *Friction Disc*
  - 1.14 - *Non-Grassed Areas*
  - 1.15 - 1.16 - *Lawn Care Calendar - Guide Only*
  - 1.16 - *Lawn Stripes*
- 1.17 Maintenance Schedule**
- 1.18 - 1.24 Mower Maintenance**
  - 1.18 - *Engine*
  - 1.18 - *Throttle Cable Adjustment*
  - 1.18 - *Carburettor Adjustments*
  - 1.19 - *Oil Service*
  - 1.19 - *Air Cleaner Service*
  - 1.20 - *Spark Plug Service*
  - 1.20 - *Keeping Engine Clean*
  - 1.20 - *Grassbag*
  - 1.21 - *Deck Housing*
  - 1.21 - *Securing Nuts and Bolts*
  - 1.21 - *Clutch Cable Adjustment*
  - 1.22 - *Lubrication*
  - 1.22 - *Cutterblade Removal*
  - 1.23 - *Cutterblade Assembly*
  - 1.23 - *Cutterblade Sharpening*
  - 1.24 - *Storage*
  - 1.25 - *Battery Charging*
- 1.26 - 1.27 Trouble Shooting**
  - 1.28 Declaration of Conformity**
- 1.29 - 1.31 Parts List**
  - 1.32 Parts list Diagram**
  - 1.33 Customer Info/Notes**

# INTRODUCTION

Thank you for purchasing a **Hayter** mower. The following pages are designed to help you gain safe and efficient service from your mower.

**IMPORTANT:** This 'Owners Handbook' should be regarded as part of the mower as it gives essential information regarding mower safety, operation, maintenance and specifications. Read and understand this handbook prior to operating your mower for the first time. Make sure you are familiar with all the controls and points of regular maintenance. If you have any doubts, consult your local **Hayter** authorised dealer who will be pleased to give you assistance.

**IMPORTANT:** This mower is designed solely for use in a domestic grass cutting environment. Use in any other way is considered as contrary to the intended use. Compliance with and strict adherence to the conditions of operation, service and repair as specified in this handbook also constitute essential elements of the intended use.

This mower should be operated, serviced and repaired only by persons who are familiar with its particular characteristics and who are acquainted with the relevant safety procedures.

The safety precautions listed in this handbook and all other generally recognised regulations on safety must be observed at all times.

Any arbitrary modifications carried out to this machine may relieve Hayter Limited of liability for any resulting damage or injury.

**Hayter** mowers are robustly constructed and designed for efficient economical performance under normal mowing conditions. Correct operation and maintenance will ensure a long and satisfactory service life. Prior to despatch from our factory every effort is made to ensure that your mower is delivered in perfect condition.

Throughout this handbook all references to **left** and **right** are as viewed from behind the handlebar, in the direction of forward travel.

This handbook is based on information available at the time of publication.

**HAYTER LIMITED** reserve the right to amend product specifications without prior notification.

# WARRANTY

## LIMITED WARRANTY

**Hayter Limited** warrants to the original user/purchaser that this unit shall be free from defects in material and workmanship under normal use and service for a period of **three years** from the date of purchase. The manufacturer of the engines furnish their own warranty and services are provided through their authorised network (Refer to "Engine Warranty Statement"). To qualify for the full benefit of the warranty, the warranty registration card must be returned within 60 days of purchase. Subject to the conditions and exclusions noted in this limited warranty, we shall at our option, repair or replace any warranted part during the applicable period. If you are in doubt or experience any difficulty, please consult a Hayter Authorised Service Dealer for clarification.

To qualify for the extended warranty (second and third year) of the three year limited warranty the machine must have annual services carried out by an Authorised Hayter Service Dealer. These chargeable services should be carried out within 12 and 24 months of the date of purchase.

Excluded from the extended warranty period are those items which are subject to normal wear and tear e.g. tyres, wheels, cutterblades, cables, batteries and other consumable wearing parts.

**All** consumer machines which are fitted with a **genuine** Hayter friction disc as original equipment before use, are covered by a **Lifetime Warranty** against the engine crankshaft bending. **Note:** friction washers, blade brake units and other such devices are not applicable. Only machines fitted with a **genuine** Hayter friction disc, which are used in accordance with the recommended operating and maintenance procedures, are covered.

This warranty does not apply to any unit that has been tampered with, altered, misused, abused or used for hire, and will become invalid if non genuine Hayter parts are fitted. This warranty does not cover minor mechanical adjustments unless they are due to defective material or workmanship. Consult the Owner's Handbook or a Hayter Authorised Service Dealer for assistance when making these adjustments.

### A warranty period of 90 days applies to machines used for commercial purposes.

To make a warranty claim, return the unit to a Hayter authorised dealer along with proof of purchase stating the machine serial number and date of purchase. The service receipt(s) or this Owners Handbook with the 1st/2nd year service boxes fully completed, must be produced as proof of entitlement to the extended warranty period. Subject to the conditions and exclusions in this limited warranty, the authorised dealer will, at our option, repair or replace any warranted part within the duration of the warranty period.

This limited warranty gives you specific legal rights and is in addition to any statutory rights to which you may be entitled and your statutory rights are not affected by this warranty. If you need additional information concerning this written warranty, or assistance in obtaining services, please write to : **HAYTER LIMITED, Service Department, Spellbrook, Bishop's Stortford, Hertfordshire CM23 4BU**

**UK ONLY:** Details of your local **Hayter** authorised dealer are contained in Yellow Pages or contact:- Freephone 0800 616298.

1st Year  
Service  
Record

DEALER STAMP

2nd Year  
Service  
Record

DEALER STAMP

Issue: 12.10.00

Date.....

Date.....

Signed.....

Signed.....

# SAFETY PRECAUTIONS

## Safety Alert Symbol



This safety alert symbol indicates important safety messages. When you see this symbol be alert to the possibility of injury. Carefully read the following and inform others.

Your mower is perfectly safe if used correctly. Failure to observe the following precautions may result in serious injury.

## Training



Before using the mower read the owners handbook carefully. Pay particular attention to the safety precautions. Ensure that you are familiar with the controls and the proper use of the equipment. Learn how to stop the mower quickly in an emergency.

Never allow children or people unfamiliar with these instructions to use the mower.

Never mow while people, especially children, or pets are nearby.

Keep in mind that the user is responsible for accidents or hazards occurring to other people or their property.

## Preparation



While mowing, always wear substantial footwear and long trousers. Do not operate the equipment when barefoot or wearing sandals.

Thoroughly inspect the area where the mower is to be used and remove all objects which may be thrown by the machine.

**WARNING:** Petrol is highly flammable.

- Store fuel in containers specifically designed for this purpose.
- Add fuel before starting the engine. Never remove the cap from the fuel tank or add petrol while the engine is running or when the engine is hot. Allow the engine to cool for at least two minutes before refuelling.
- Do not attempt to start the engine if petrol is spilled or a smell of petrol is present. Move the mower away from the area of spillage and avoid creating any source of ignition until petrol vapours have dissipated.

# SAFETY PRECAUTIONS

## Preparation

- Always use fresh fuel. Stale fuel can block the carburettor and cause leakage.
- Replace fuel tank and oil tank caps securely.

A damaged cutterblade or loose fixing bolt are major hazards. Before use, always visually inspect the cutting mechanism to ensure that it is in good condition. A damaged cutterblade must be replaced immediately with a genuine Hayter replacement part



## Operation

Do not operate the engine in a confined space where exhaust fumes (carbon monoxide) can collect. Refuel outdoors only and do not smoke while refuelling.

Always pull the starter cord slowly until resistance is felt. Then pull the cord rapidly to avoid kickback and prevent hand or arm injury.

Mow only in daylight or good artificial light.

Avoid using the mower on wet grass, where feasible.

Always be sure of your footing on slopes.

Walk, never run.

Mow across the face of slopes, never up and down.

Exercise extreme caution when changing direction on slopes.

Do not mow excessively steep slopes of more than 20 degrees.

Use extreme caution when reversing or pulling the mower towards you.

Stop the engine before moving the mower across areas other than grass.

Never operate the mower unless the guards are securely in position and in good condition.

Do not change the engine governor settings or overspeed the engine.

Disengage the rear roller drive clutch before starting the engine.

Start the engine carefully, with feet well away from the cutterblade.



# SAFETY PRECAUTIONS

## Operation



Do not tilt the mower when starting the engine.

Do not put hands or feet near or under rotating parts.

Never pick up or carry the mower while the engine is running.

Never lift the rear deflector while the engine is running.

Never touch the exhaust/exhaust guard or cooling fins when the engine is hot.

### **Stop the engine and disconnect the spark plug lead:**

- Before clearing blockages or unclogging the discharge chute.
- Before cleaning/checking or working on the mower.
- After striking a foreign object. Inspect the mower for damage and ensure necessary repairs are made before re-starting.
- If the mower starts to vibrate abnormally (check immediately).

### **Stop the engine:**

- Whenever you leave the mower.
- Before refuelling.

## Maintenance & Storage



Keep all nuts, bolts and screws tight to ensure that the equipment is in safe operating condition.

Frequently check fuel lines and fittings for cracks or leaks and replace if necessary.

Never check for a spark when the spark plug is removed. (Use approved tester)

Inspect the exhaust periodically and replace if worn or leaking.

Never crank the engine with the spark plug removed.

Never start the engine with the air-cleaner or air-cleaner cover removed.

Never store the mower with petrol in the tank within an enclosed area where fumes may reach an open flame or spark.



# SAFETY PRECAUTIONS

## Maintenance & Storage

Allow the engine to cool before storing in any enclosure. To reduce the fire hazard, keep the engine and the surrounding deck area free of grass, leaves, or excessive grease.

Check the rear deflector and grassbag frequently for wear or deterioration. Replace worn or damaged parts for safety.

If the fuel tank has to be drained, this should be done outdoors and when the engine is cool.

Wear strong work gloves when removing and reassembling the cut-terblade.

Always replace worn or faulty parts with genuine Hayter parts.

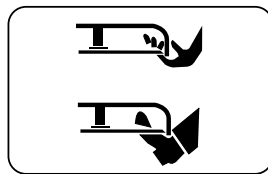


## Safety Symbols

Safety Alert - Be aware to the possibility of injury.



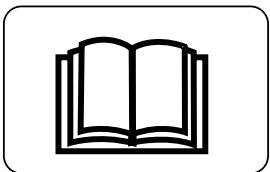
Danger of severing toes or fingers in cutting mechanism.



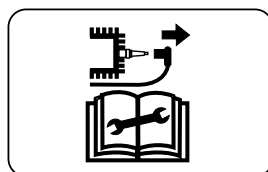
Danger of being hit by thrown objects.



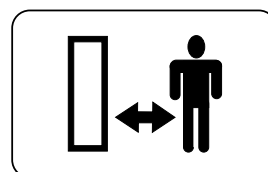
Carefully read the Owners Handbook before using the machine.



Stop engine and remove spark plug lead before working on the mower.

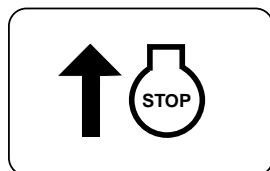


Keep bystanders at a safe distance from the mower.

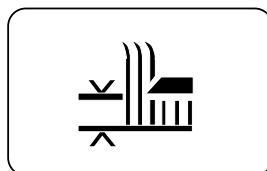


## Decal Symbols

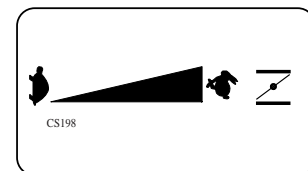
Engine Stop (Symbol)



Height of Cut Adjustment (Symbol)

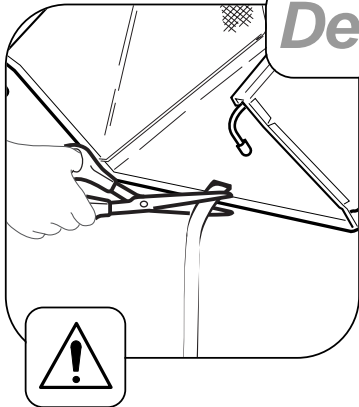


Throttle Control (Symbols)



# ASSEMBLING THE MOWER

## Delivery Checklist

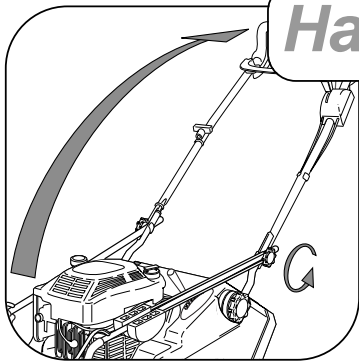


Remove the mower from the packaging and check that the following items have been supplied correctly. If any items are missing contact your local Hayter dealer.

1. Engine Handbook.
2. Warranty Reg. Card.
3. Grassbag.
4. Charger
5. Ignition Key

**To prevent accidents cut off the long ribbon attached to the grassbag and discard.**

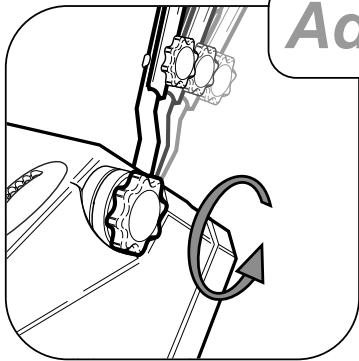
## Handlebar



Unscrew the handlebar securing knobs sufficiently to allow the handlebar to pivot. Move the engine stop lever away from the engine to avoid damage and unfold the handlebar to the operating position. Tighten both handlebar knobs to secure the handlebar in position.

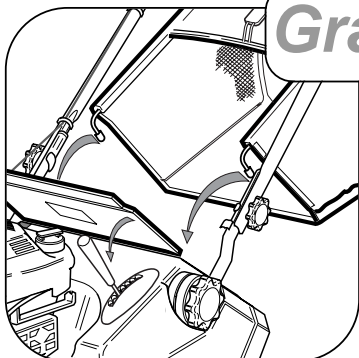
**Take care to ensure that the control cables do not become snagged at the pivot point.**

## Adjust Handlebar Height



Unscrew the two larger knobs at base of handlebar sufficiently to allow it to be moved to the upper, middle or lower position. Ensure both sides are set to the same height and secure in the required position.

## Grassbag Attachment

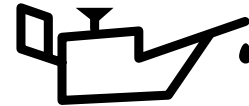


Raise the rear deflector, lower the grassbag through the handlebar and hook in position. Lower the deflector to rest on the grassbag

# BEFORE STARTING THE MOWER

## Prevent Engine Damage

To prevent engine damage the engine is shipped without oil or petrol. The engine must be filled with the correct grade of oil and petrol before starting the engine.



## Oil Type

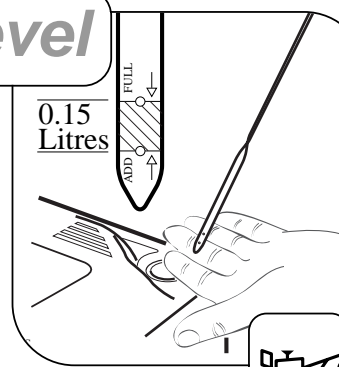
Always use high quality detergent oil classified “For service SE, SF, SG” SAE 30 oil. Never use additives with recommended oils. SAE 10W-30 multigrade oil may be used, but this will result in higher engine operating temperatures with consequential high oil consumption. It is imperative that the oil level is checked more frequently if this grade of oil is used in order to guard against serious engine damage. To prolong the life of your engine it is important that the oil is changed after the first 5 hours of use - refer to ‘Maintenance Schedule’.



## Check Oil Level

Clean around the oil filler cap before removing. With the mower on a level surface, unscrew and remove the oil filler - dipstick. Wipe oil from it with a clean cloth. Screw the oil filler - dipstick back in place, then unscrew and remove it to check the oil level.

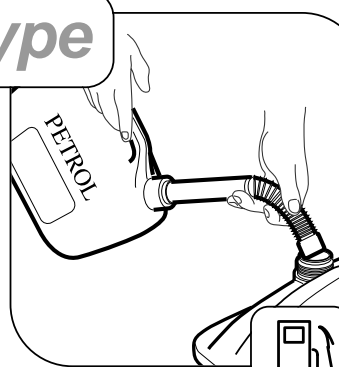
The oil level is correct when it is at the **full** mark on the dipstick.  
**DO NOT OVERFILL.**



## Fuel Type

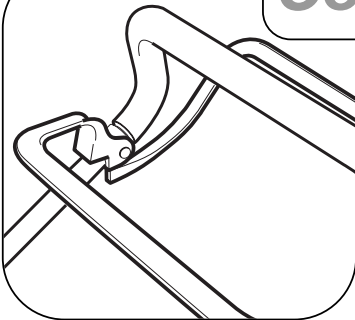
Always use clean, fresh unleaded petrol. Purchase fuel in quantities that can be used within 30 days. Never mix oil with petrol. For added engine protection Briggs & Stratton recommend the use of their fuel additive which is available from an authorised Briggs & Stratton service dealer.

**Fill to base of neck to allow for fuel expansion. Do not overfill the fuel tank.**



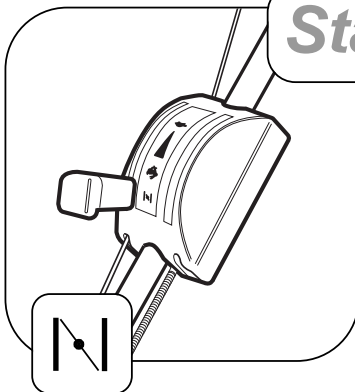
# OPERATING THE MOWER

## Controls



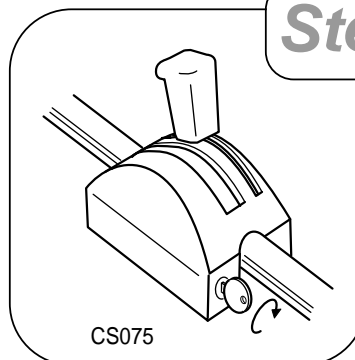
Operate all control levers several times and ensure that the cables move freely. Check that the engine stop and ground drive clutch levers return freely to their rest position when released. Whilst operating the engine throttle mechanism slight resistance should be felt when moving the lever to the 'choke' position.

## Starting - Step 1



Move the throttle control lever to the 'choke' position before starting a cold engine. Move the throttle control lever to the 'fast' position before starting a warm engine.

## Step 2



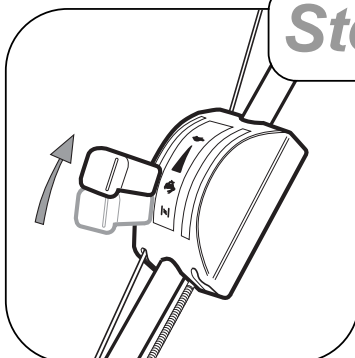
Using your left hand turn the ignition key clockwise and hold in position to crank the engine. When the engine starts release the key and set the throttle to the fast position if initially in the choke position.

**The engine stop lever must be held firmly against the handlebar to start and keep the engine running. If the engine stop lever is released the engine will stop.**

**IMPORTANT: PREVENT ENGINE DAMAGE:** Do not use the ignition key when the engine is running.

**Note:** If necessary the engine can be started manually with the use of the engine start grip.

## Step 3



Allow the engine to warm up and move the throttle lever to the 'fast' position after starting a cold engine.

**To prevent damage never pull the engine start grip when the engine is running.**

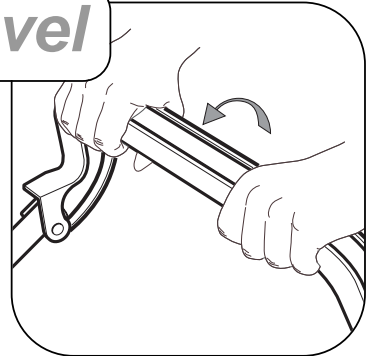
# OPERATING THE MOWER

## Forward Travel

Hold the handlebar and operate the ground drive clutch lever to power the mower in a forward direction.

When the ground drive clutch lever is disengaged the mower may be pushed. This feature is useful when mowing in confined areas.

**If the engine stop lever is released the engine will stop.**



## Turning

To make a wide turn steer the mower with the handlebar in the direction required.

To make a tight turn release the ground drive clutch lever, apply downward pressure on the handlebar to raise the front wheels just above ground level and steer in the required direction.

**To prevent accidents do not raise the front of the mower excessively when making a turn. Never raise the rear of the mower when the engine is running.**

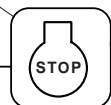
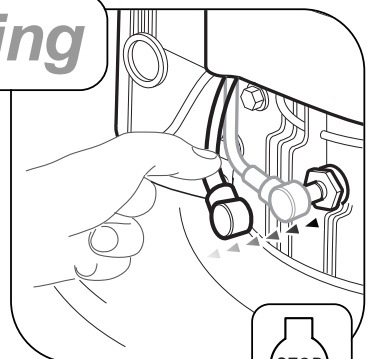


## Stopping

Release the ground drive clutch lever, reduce the throttle setting and release the engine stop lever.

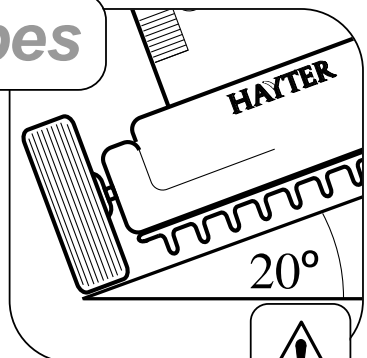
**Emergency stop:** Release both ground drive clutch lever and engine stop lever together.

**If the engine fails to stop, move the throttle lever to the 'slow' position and disconnect the spark plug lead.**



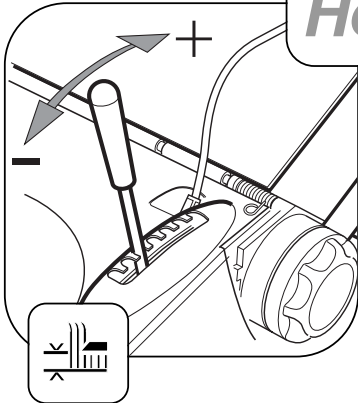
## Slopes

**To prevent engine damage do not use the mower on slopes greater than 20 degrees.**



# OPERATING THE MOWER

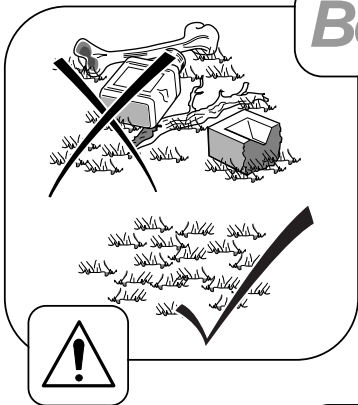
## Height of Cut



Move the height of cut lever sideways to disengage it from the locking notch, then push forwards to lower or pull backwards to raise the height of cut. Release the lever in the required position and ensure that it locks firmly into one of the seven notch settings.

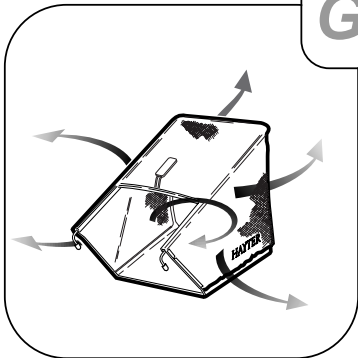
Always select a height of cut to suit operating conditions. Prevent engine overloading and blockages by avoiding low cuts in long grass conditions. Be prepared to make two cuts when the grass is long.

## Before Mowing



To prevent accidents thoroughly inspect the area and remove all objects which when contacted by the mower cutterblade could become dangerous projectiles. Inspect the area for hidden obstructions which when contacted by the cutterblade could risk health and safety. Remember the location of these obstructions and ensure that you mow around them.

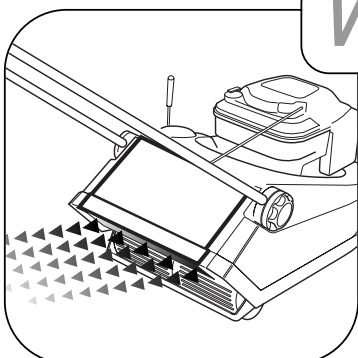
## Grassbag



Raise the rear deflector and lift the grassbag through the handlebar and lower the rear deflector to rest against the rear of the mower.

To empty the grassbag, pour out the grass clippings and shake the grassbag vigorously to clean the airways. Good grass collection depends on good air flow through the grassbag. When collecting grass clippings it is important that the grassbag is emptied regularly to prevent blockages and engine overloading.

## Without Grass Collection

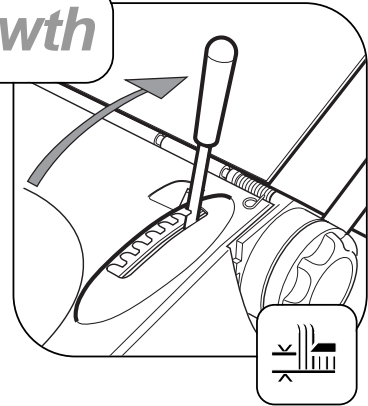


Remove the grassbag and operate the mower with the rear deflector in the closed position.

# OPERATING THE MOWER

## Heavy Growth

Areas of heavy growth should be mown without collecting the clippings. If collection is required, first mow the area without the grassbag at the maximum height of cut setting. Allow the grass clippings to dry out and then mow the area at the maximum height of cut setting with the grassbag fitted. Reduce the height of cut and mow the area again as necessary until the required finish is obtained.

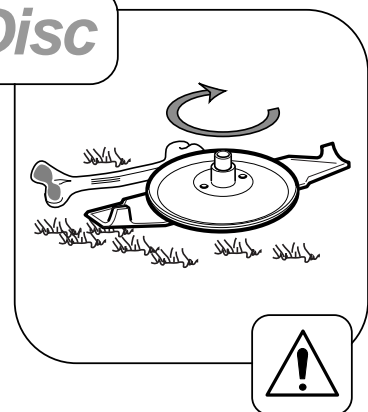


To prevent grass damage do not remove more than one third of grass height in one cut.

## Friction Disc

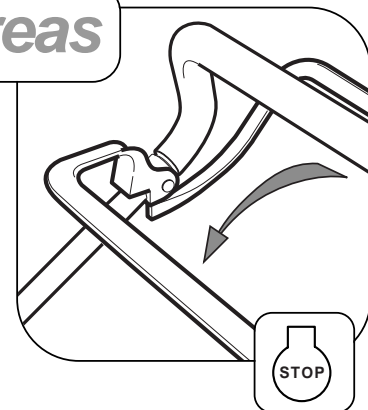
The cutterblade is driven by the engine via a friction disc to help prevent damage occurring to the engine crankshaft and cutting mechanism when a hidden obstruction or overload is encountered.

Always stop the engine when a hidden obstruction or excessive vibration is encountered. Disconnect the spark plug lead and examine the cutting mechanism. ALWAYS replace a damaged cutterblade - refer to "Maintenance".



## Non-Grassed Areas

When moving the mower across non-grassed areas, stop the engine and set the mower to the maximum height of cut to protect the cutting mechanism.



# LAWN CARE CALENDAR

To be used as a guide only.

## January

---

There is very little work to do this month apart from brushing away leaves. Keep off the grass if frozen or waterlogged.

## February

---

Rake the grass thoroughly. Spike the lawn to aerate and stimulate soil organisms and root growth and apply lawn sand if necessary.

## March

---

The yearly lawn work programme really starts this month. As soon as the ground conditions are suitable, the first cut can be made. The first cut should merely “top” the grass as close cutting at this stage could result in severe yellowing or browning. Two cuts are generally sufficient this month.

## April

---

Mow often enough to stop grass growing away. Dig out patches of coarse grass or resistant weed. Re-seed bare patches.

## May

---

Keep mowing increasing the frequency as required. Treat with selective weed killers or combined weed/feed preparations if you did not feed the lawn in April.

## June

---

Summer mowing should now be under way. It should be necessary to mow the lawn twice a week. Raking before mowing is important this month as the combined action keeps runners of clover under control. Water the grass if necessary, and remember to soak thoroughly.

## July

---

Treat the grass with the second application of fertiliser or weed killer/fertiliser. Water when necessary and rake occasionally. As a general rule the grass clippings should be removed each time you mow. If weather conditions are dry and hot and the grass is weed free, leave the clippings on the lawn to help maintain ground moisture.



# LAWN CARE CALENDAR

## August

Keep mowing regularly and watering as necessary. Fill any cracks caused by drought with a mixture of sharp sand and soil. In dry weather conditions leave the grass longer to help retain ground moisture.

## September

Raise the height of cut to allow the grass to thicken and protect the roots from the winter frost and snow.

## October

Rake out the thatch from the turf and spike the lawn to assist in drainage. Brush in peat and sharp sand.

## November

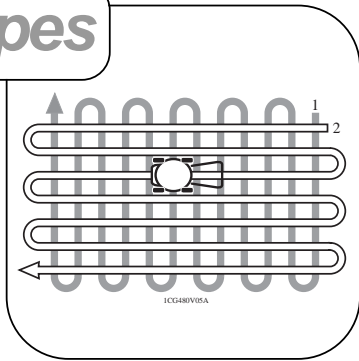
Use a stiff broom to disperse worm casts before mowing. Keep turf free from leaves.

## December

Apart from brushing away leaves, December is a slack end of a busy year. Keep off the lawn if it is very wet or frozen.

## Lawn Stripes

The way to achieve a neat striped effect is for the lawn being cut in parallel stripes, alternate stripes being mown in opposite directions. A much more important routine is to cut at right angles to the line of the previous mowing. If the work has been carried in a north-south line, then the next cutting should be in an east-west direction. The cross-cutting keeps down the coarse weed grasses.



**To prevent grass damage do not remove more than one third of the grass height in one cut.**

# MAINTENANCE SCHEDULE

Follow the hourly or calendar intervals, whichever occurs first. More frequent service will be required if working for prolonged periods under dusty, dry conditions, or when airborne debris is present or after extensive operation cutting tall, dry grass.

## First 5Hrs

- After the very first five hours change the engine oil

## Daily

- Check the oil level
- Remove grass debris from around the engine, exhaust/exhaust guard and air ways in the top cowl and underside of the deck housing.
- Remove grass debris from the grassbag and check for signs of damage.
- Check the condition of guards and safety devices.
- Check condition of cutterblade.

## 25Hrs or Every Season

- Change the engine oil if continuously operating under heavy load or high ambient temperature.
- Service the air cleaner.
- Lubricate wheels, pivot points and linkages and grease the inner control cables at point of entry and exit from their outer casing.
- Check the clutch cable adjustment.
- Sharpen the cutterblade.

## 50Hrs or Every Season

- Change the engine oil.

## 100Hrs or Every Season

- Clean the engine cooling system. Clean more often under dusty conditions or when airborne debris is present or after prolonged operation whilst cutting tall, dry grass.
- Replace the spark plug.

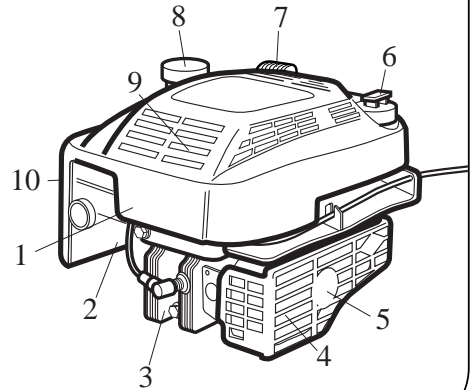
# MOWER MAINTENANCE

To prevent accidents stop the engine disconnect the spark plug lead before attempting to carry out maintenance procedures on the mower.



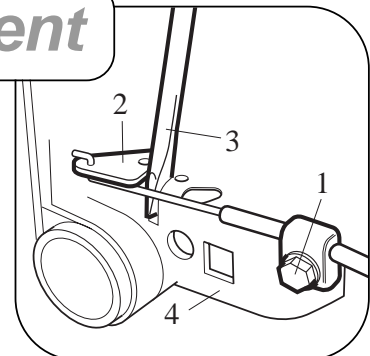
## Engine

1. Engine Cowl
2. Carburettor
3. Spark Plug / Lead
4. Muffler Guard
5. Muffler
6. Oil filler Cap/ Dipstick
7. Start Grip
8. Fuel Cap
9. Finger Guard
10. Air Cleaner



## Throttle Cable Adjustment

Remove two screws securing the engine cowl and remove the cowl to expose the throttle mechanism on the front of the engine. Loosen the outer cable clamp screw (1) and move the governor control lever (2) to the left as far as possible. Insert a large, flat blade screw driver (3) into the slot in the engine control bracket (4) at the angle shown. Push the governor control lever to the right until it just touches the screw driver blade. Move the throttle control lever to the 'fast' position (not the 'choke' position) and re-tighten the outer cable clamp screw. Replace the engine cowl.

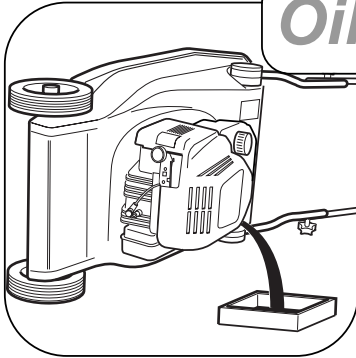


## Carburettor Adjustments

Should only be made by an authorised Briggs & Stratton dealer. Under no circumstances should the engine be adjusted to run at a speed in excess of that shown on the Declaration of Conformity.

# MOWER MAINTENANCE

## Oil Service

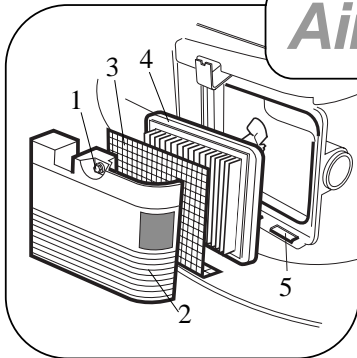


Check the oil level daily before starting the engine and ensure that the correct oil level is maintained. Refer to- 'Before Starting the Mower' for oil checking and filling instructions.

Change the engine oil after the first 5 hours of operation and thereafter according to the 'Maintenance Schedule':-

1. Drain fuel by running the engine until the fuel tank is empty.
2. Remove the spark plug lead.
3. Allow the engine to cool.
4. Drain the oil while the engine is warm.(Not hot)
5. Tip the mower over on to its left hand side thus ensuring that the air cleaner is kept uppermost **to prevent engine damage.**
6. Remove the oil filler dipstick and drain the oil into a suitable container.
7. Refill with new oil of the recommended SAE viscosity grade. (Refer to-'Before Starting the Mower')

## Air Cleaner Service



To service the air cleaner, loosen screw (1) and remove cover (2). Carefully remove pre-cleaner (3) and wash in a solution of liquid detergent and water. Allow to air dry thoroughly before fitting.

Remove cartridge (4) and clean by tapping gently on a flat surface. If very dirty, replace.

- Do not use petroleum solvents.
- Do not use pressurised air.
- Do not oil the cartridge.

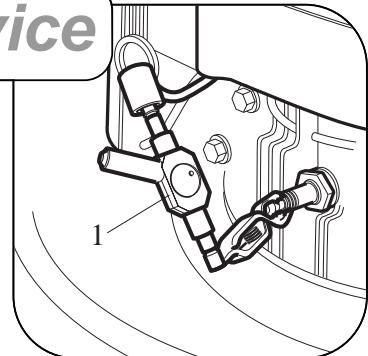
After servicing, install the pre-cleaner and cartridge in the cover. Insert the tabs on the bottom of the cover into the slots in the bottom of the base (5). Tilt the cover upwards and securely tighten the screw to the base.

# MOWER MAINTENANCE

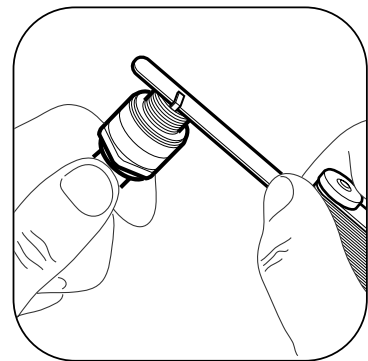
## Spark Plug Service

Use only Briggs & Stratton spark tester (1) to check for a spark as shown in the diagram.

Replace the spark plug every 100 hours or every season, whichever occurs first. A spark plug wrench is available from any authorised Briggs & Stratton service dealer.



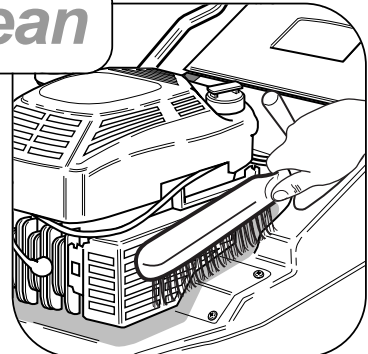
Check the spark plug gap with a feeler gauge and set at 0.76mm.



## Keeping Engine Clean

Remove all grass and debris from the engine including the exhaust/exhaust guard, the air ways in the top cowl and the surrounding deck areas on a daily basis after use. Never spray the engine with water during cleaning. Water can contaminate the fuel. Always clean with a brush or compressed air.

Grass and debris may clog the engine's air cooling system especially after prolonged operation while cutting tall, dry grass. The internal cooling fins and surfaces may require cleaning to prevent overheating and engine damage. We recommend that this service be carried out by an authorised Briggs and Stratton dealer.



## Grassbag

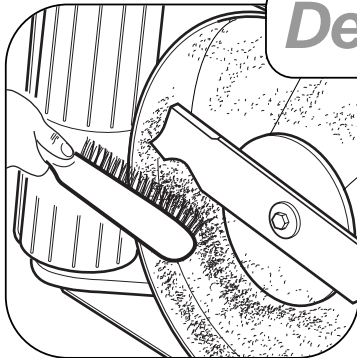
Remove grass debris from the grassbag immediately after use and check its condition for signs of damage.

**To prevent accidents replace a damaged grassbag immediately.**



# MOWER MAINTENANCE

## Deck Housing



Remove grass debris from the top and underside of the deck housing immediately after use.

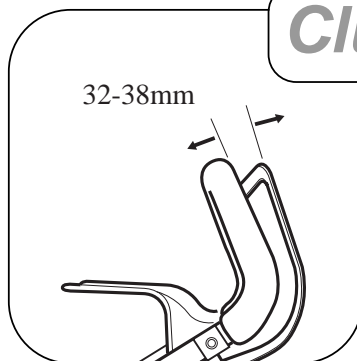
**To prevent accidents fertilisers and top dressings are particularly corrosive. Thoroughly clean the mower deck immediately after use on treated grass and store well away from corrosive materials.**

## Securing Nuts & Bolts

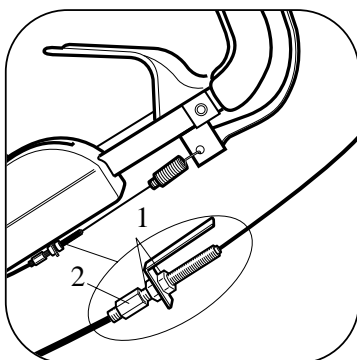


Regularly check that all securing nuts and bolts are tight. Replace missing or damaged items immediately.

## Clutch Cable Adjustment



Check the clutch cable operation every 25 operating hours and adjust if necessary. The clutch cable is adjusted correctly when the belt drive just engages with the clutch lever positioned 32-38mm from the handlebar.



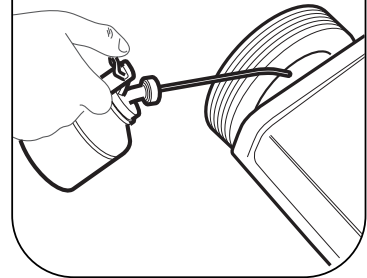
Unscrew the lock nuts (1) and screw the adjuster (2) in or out as necessary. Tighten the locknuts (1) when correctly adjusted.

# MOWER MAINTENANCE

## Lubrication

Lubricate the wheels, pivot points and linkages with engine oil every 25 operating hours.

Apply a good quality medium grease to the inner control cables at the point of entry and exit from their outer casing.



## Cutterblade Removal

Drain the fuel by running the engine until the fuel tank is empty and the engine stops. **Remove the spark plug lead** and allow the engine to cool. Turn the mower on its left hand side and ensure that the air cleaner side of the engine is uppermost.

Firmly grip the end of the cutterblade with the gloved hand and remove the bolt, spring washer and distance piece securing the cutterblade with a 9/16" A/F spanner.

**To prevent accidents never work on the cutterblade unless the spark plug lead has been removed. The cutterblade has sharp edges. ALWAYS wear strong gloves to protect your hands when working on the cutterblade. DO NOT rotate tools towards the cutting edges to avoid the risk of injury should the tool slip. ALWAYS use genuine Hayter replacement parts.**

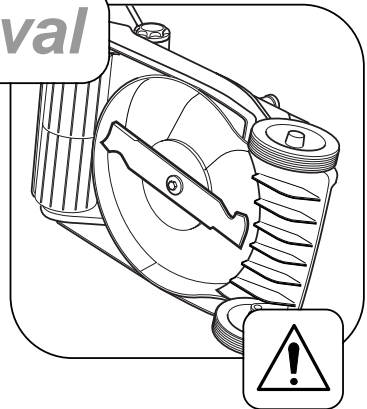
The condition of the cutterblade and its mounting arrangement should be checked regularly for signs of wear or damage. Ensure that the cutterblade is not bent or cracked.

A damaged cutterblade that is out of balance will vibrate excessively and may break. **DO NOT** use an unbalanced cutterblade.

Regularly check that the bolt securing the cutterblade is tightened to the specified torque of 54Nm.

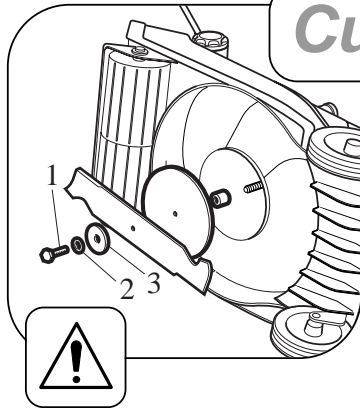
Replace the cutterblade every 2 years or sooner if excessively worn or damaged.

To prevent injury it is wise to seek assistance when turning the mower on its side.



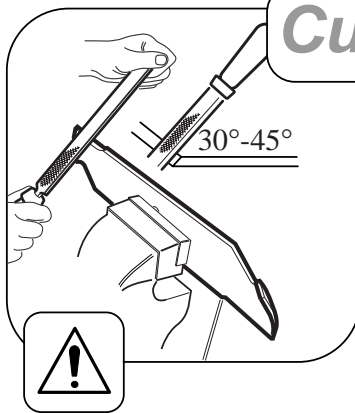
# MOWER MAINTENANCE

## Cutterblade Assembly



Assemble the cutterblade with the turned up edges facing towards the engine. Secure the cutterblade using the bolt (1), spring washer (2), and distance piece (3) and tighten to a torque of 54Nm

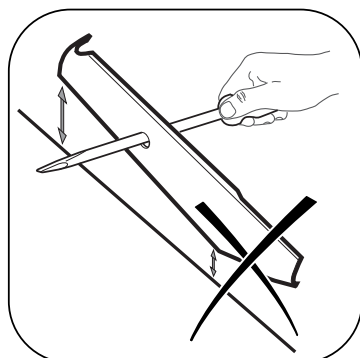
## Cutterblade Sharpening



A slightly worn cutterblade may be re-sharpened. Both blade edges must be sharpened equally to ensure balance. Sharpen the cutterblade every 25 mowing hours or more frequently if conditions require. Remove the cutterblade from the mower and clean using a brush and water. Inspect the cutterblade for signs of damage. Sharpen both cutting edges with a flat file to restore performance.



Ensure that the cutterblade is balanced. Use a screw driver with a round shaft to support the cutterblade through its centre hole. Hold the cutterblade horizontal and then release. A balanced cutterblade will remain horizontal.



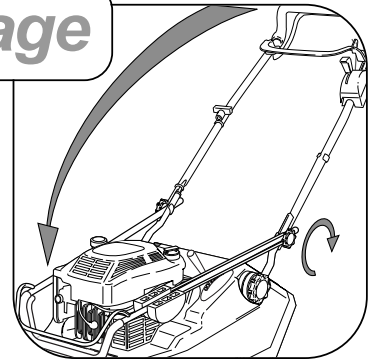
If the cutterblade is not balanced the heavy end will rotate downwards. Sharpen the heavy end until the cutterblade is correctly balanced.



# MOWER MAINTENANCE

## Storage

To store the handlebar unscrew the 2 small securing knobs sufficiently to allow it to be pivoted forwards to rest against the mower. Take care to ensure that the control cables do not become snagged at the pivot point and depress the engine stop lever to prevent it being damaged through contact with the engine spark plug.



Engines stored in excess of 30 days need to be protected with Briggs & Stratton fuel additive or drained of fuel to prevent gum from forming in the fuel system or on essential carburettor parts. To ensure your mower is maintained in good working order it is important that the following procedure is adopted. Refer to the Maintenance section as necessary.

Drain fuel from the engine by operating the engine until it stops.

Disconnect the spark plug lead.

Change the engine oil.

Charge the battery.

Remove the engine spark plug and pour 15ml of engine oil into the engine cylinder and replace the spark plug. Do not exceed the stated volume of oil as engine damage may occur on re-starting. **Do not replace the spark plug lead.** Slowly pull the engine start - grip once to crank the engine. This will distribute the oil and help prevent engine corrosion.

Clean grass and debris from the engine cylinder, cylinder head cooling fins, under top cowl, and around and behind exhaust/exhaust guard.

Clean all other areas of the mower and ensure that the grassbag is clean.

Lubricate the mower.

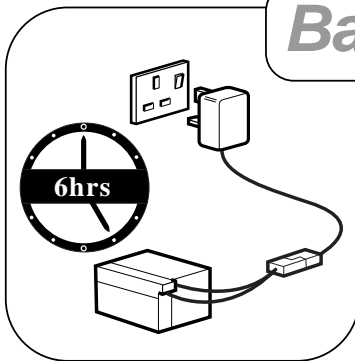
Treat metal parts with a water repellent anti-corrosion product.

Disconnect the battery leads.

Cover the mower with a protective sheet and store it in a dry, ventilated area.

# MOWER MAINTENANCE

## Battery Charging



**PREVENT ACCIDENTS: ALWAYS** charge the battery in a well ventilated area.

**NEVER** charge the battery near naked flames or direct heat.

**ALWAYS** switch off the mains electricity supply before disconnecting the charger from the battery.

**ALWAYS** use the battery charger supplied with the mower.

Battery charging should not be necessary during normal use. The engine operation will automatically charge the battery. If the mower is stored for a long period recharging the battery may be necessary to permit electric starting.

Charge the battery only when necessary.

### **To recharge the battery:**

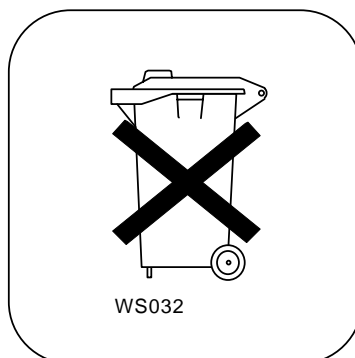
Disconnect the battery lead from the mower lead and then connect the battery lead to the charger.

Connect the charger plug to the mains electricity supply and switch on to charge the battery for a six hour period.

Switch off the mains electricity supply and disconnect the charger plug.

Disconnect the battery lead from the charger and then connect the battery lead to the mower lead.

**IMPORTANT - PREVENT DAMAGE: NEVER** connect the battery charger to the engine lead as this will cause the charger to be permanently damaged. Chargers damaged in this manner will not be replaced under warranty.



**CAUTION - PREVENT ENVIRONMENTAL DAMAGE:** The battery has a separate collection mark. This indicates that the used battery must be taken to an authorised disposal site. It must not be disposed of with general waste.

# TROUBLE SHOOTING

PROBLEM	POSSIBLE FAULT	REMEDY
Engine will not turn over	Engine stop lever released.	Operate engine stop lever.
	Incorrect oil level.	Check oil level.
	Obstruction under deck.	Remove obstruction.
	Battery discharge	Charge battery
Engine smokes	Excess oil level.	Check oil level.
	Air cleaner cartridge oil soaked or blocked.	Service air cleaner.
Engine runs then stops	Fuel starvation.	Fill fuel tank.
	Fuel cap vent blocked.	Clean fuel cap vent.
Engine will not start	Engine under load.	Raise height of cut.
	Fuel starvation.	Fill fuel tank.
	Engine cold.	Set throttle to 'choke' position.
	Incorrect/contaminated fuel.	Drain fuel tank and fill with correct fuel.
	Spark plug lead disconnected.	Connect spark plug lead.
	Throttle setting incorrect.	Set throttle to 'fast' position.
	Engine brake not released.	Operate engine brake lever.
	Faulty spark plug.	Clean and adjust gap or replace.
	Battery discharge	Charge battery
	Wiring fault.	Check wiring.
Engine runs rough	Spark plug lead becoming disconnected in use.	Connect spark plug lead.
	Faulty spark plug.	Clean and adjust gap or replace.
	Air cleaner blocked.	Service air cleaner.
	Incorrect/contaminated fuel.	Drain tank and fill with correct fuel.

# TROUBLE SHOOTING

PROBLEM	POSSIBLE FAULT	REMEDY
Engine vibrates excessively	Mounting bolts loose. Cutterblade bolt loose. Cutterblade out of balance. Bent crankshaft.	Tighten bolts Tighten bolt Balance cutterblade Consult your dealer
Uneven cut	Undulating ground conditions Cutterblade worn Cutterblade out of balance Wheels / roller damaged	Change direction of travel Sharpen the cutterblade Balance the cutterblade Inspect and replace as necessary
Discharge chute blocks	Grass is wet Cut height too low Grassbag full Airflow through the grassbag is restricted Engine speed too slow	Mow dry grass Increase cut height Empty grassbag Clean the grassbag Set throttle to fast position
Mower is hard to push	Cut height too low Wheels / roller damaged	Increase cut height Inspect and replace as necessary
Mower will not self propel	Clutch out of adjustment Drive belt damaged	Adjust clutch cable Replace drive belt
Poor grass collection	Airflow through the grassbag is restricted Discharge chute blocked Wet grass Grassbag full Engine speed too slow	Clean the grassbag Remove blockage Mow dry grass Empty grassbag Set throttle to fast position

# DECLARATION OF CONFORMITY

## EC DECLARATION OF CONFORMITY

HAYTER LIMITED,  
Spellbrook, Bishop's Stortford, Herts CM23 4BU ENGLAND



### declare that the lawnmower:

Models:	Harrier 48
Machine Type No.	CODE 481A
Category:	Auto Drive Electric Start
Type:	Pedestrian Rotary
Engine manufacturer:	Briggs & Stratton
Speed of rotation:	2800 rpm
Width of cutting device:	480mm
Speed of rotation of the cutting device:	2800 rpm

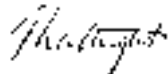
Complies with the provisions of Directive: 98/37/EC Essential Health & Safety Requirements Relating to the Design & Construction of Machinery and Safety Components.

Also Directive 89/336/EEC amended by 92/31/EEC Electromagnetic Compatibility.

Also Directive 2000/14/EC Noise emission in the environment by equipment for use outdoors. (ANNEX VI)  
Notified Body: Sound Research Laboratories Ltd. Holbrook House, Little Waldingfield,  
Sudbury, Suffolk, ENGLAND  
Notified body identification No: 1088

Measured sound power level:	95.0 dB(A)
Guaranteed sound power level:	96 dB(A)

Standards Used: EN2921, EN836 and ENISO14982

Signed   
M.A. Wright  
(Technical Director)

Date: 30.10.01  
HAYTER LIMITED,  
Spellbrook, Bishop's Stortford,  
Herts CM23 4BU ENGLAND

## VIBRATION INFORMATION

Lawnmower vibration information. RMS acceleration measured in 3 - axes at operators contact position on the handlebars. **CODE 481A = 5 ms<sup>-2</sup>**

## 481A

## PARTS

## LIST

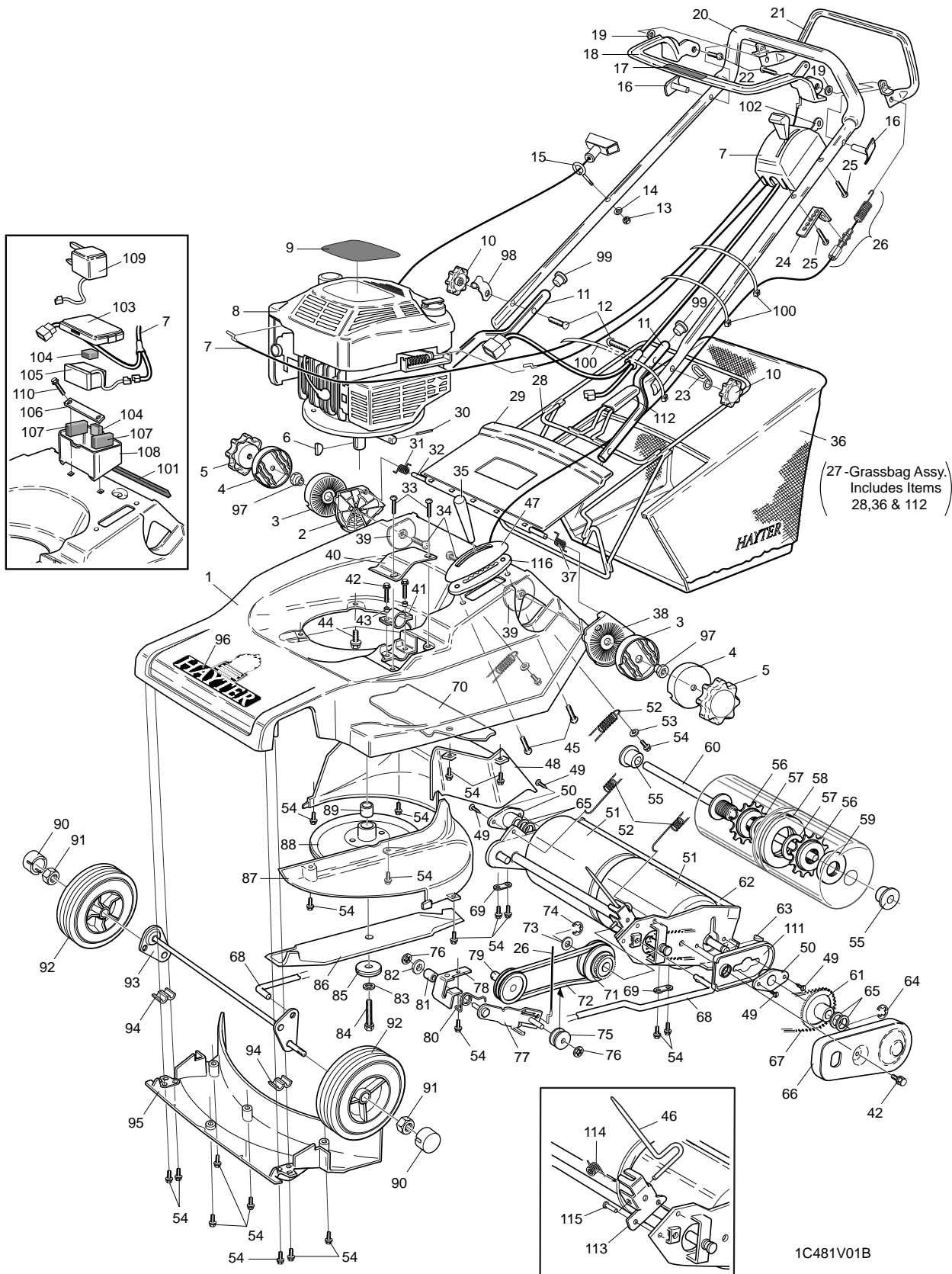
ITEM NO	DESCRIPTION	PART NO.	QTY	ITEM NOTE
1	Mainframe - Casting	480010V	1	
2	Plate - Location RH	480083V	1	
3	Clamp - Boss Inner	480084W	2	
4	Clamp - Boss Outer	480085W	2	
5	Handwheel - Assy	480054	2	
6	Key - Woodruff	1662	1	
7	Throttle Control & OPC Cable	488028	1	
8	Engine - B/S Diamond	481144	1	XTL45 APTO
9	Decal - Engine	480142	1	
10	Knob - Handlebar	480088	2	
11	Handlebar - Lower	480186W	2	
12	Bolt - Handlebar	226024	2	
13	Nut - Nylon Insert	09544	1	
14	Washer - Plain	09472	1	
15	Guide Rope	305093	1	
16	Pin - Pivot	340182	2	
17	Decal - Engine Stop Transfer	331046	1	
18	Lever - Engine	340179	1	
19	Washer - Nylon	09688	2	
20	Handlebar	341029	1	
21	Lever - Clutch	306094W	1	
22	Screw	09687	2	
23	Cable Guide	480123	1	
24	Bracket - Cable Clutch	306108	1	
25	Screw - Deltite Posi Pan	09600	2	
26	Cable - Clutch	480094	1	
27	Grassbag - Assy	486021	1	Inc. 28, 36 & 112
28	Frame - Grassbag	486018W	1	
29	Deflector - Rear	480140	1	
30	Pin - Roll	03997	1	
31	Spring - Deflector RH	480131	1	
32	Rod - Deflector	480062	1	
33	Screw - Hex. Hd. Taptite	09758	2	
34	Bolt - Coach	09549	2	
35	Knob - HOC	480134	1	
36	Grassbag - Fabric	486019	1	
37	Spring - Deflector LH	480130	1	
38	Plate - Location LH	480082V	1	
39	Plate - Handlebar Retainer	480055	2	
40	Cover - APTO	480014	1	
41	Bearing - APTO	480050	1	

ITEM NO	DESCRIPTION	PART NO.	QTY	ITEM NOTE
42	Screw - Washer Hd Taptite	09575	3	
43	Bush	340154	2	
44	Screw - Taptite	09349	3	
45	Screw	09634	2	
46	Lever - HOC	480128	1	
47	Ratchet Moulding HOC	480126	1	
48	Throwplate - Main Body	480011	1	
49	Screw - Taptite	09545	4	
50	Bearing - Roller Housing	219102	2	
51	Roller - Rear W/A	480151W	2	
52	Spring Tension - Rear Axle	480133	2	
53	Washer	09262	2	
54	Screw - Taptite	09365	22	
55	Bush - Oilite Roller	340129	2	
56	Roller Freewheel - Rocket Band	340150	2	
57	Spacer - Nylon	340149	2	
58	Shroud - Freewheel	340168	1	
59	Locknut	340163	1	
60	Shaft - Roller	480032	1	
61	Sprocket - 22 Teeth	480039	1	
62	Frame - Rear Roller W/A	480159W	1	Inc. 113
63	Key - woodruff	5321	1	
64	Circlip	1428	1	
65	Washer	480097	4	
66	Cover - Transmission	480043	1	
67	Chain	486037	1	
68	Rod - Connecting	480045	1	
69	Plate - Securing	219037	2	
70	Filler - Throwplate	480017W	1	
71	Pulley - Sprocket Fixed Speed	480171	1	
72	Belt - V APTO	480063	1	
73	Washer	02575	1	
74	Circlip	03096	1	
75	Pulley - Jockey	219156	1	
76	Washer - Starlock	0201086	2	
77	Bracket - Idler Assy	480115	1	
78	Belt Guide	480116	1	
79	Pulley - Drive APTO	480038	1	
80	Spring - Torsion Idler	480066	1	
81	Bush	4452	1	
82	Washer - M12 H.D.	09280	1	

ITEM NO	DESCRIPTION	PART NO.	QTY	ITEM NOTE
83	Washer - Spring	09273	1	
84	Bolt - UNF	09121	1	
85	Distance Piece - Cutterbar	4014	1	
86	Cutterbar - 19"	480149	1	
87	Cover - Throwplate Drive	480012	1	
88	Disc - Friction	480070W	1	
89	Spacer	480072	1	
90	Cap - Hub	219143	2	
91	Nut - UNF Nyloc	4486	2	
92	Wheel	5218	2	
93	Axle - Front W/A	219031	1	
94	Moulding - Front Axle Bearing	219036	2	
95	Fin - Front Insert	480013	1	
96	Decal - Hayter & Royal Warrant	219186	1	
97	Nut - M8 Shouldered	480086	2	
98	Guide - Rope	305127	1	
99	Plug - Tube	300160	2	
100	Tie - Cable	3966	3	
101	Sealing Strip	480119	2	
102	Key - Ignition	6426	1	
103	Lid - Battery Box	488024	1	
104	Foam Pad - Short	488023	2	
105	Battery	220015	1	
106	Clamp Plate - Battery Box	226094	1	
107	Foam Pad - Long	488021	2	
108	Battery Box	226090	1	
109	Battery Charger	226006	1	
110	Screw - Taptite	09546	2	
111	Guard - Transmission	480164	1	
112	Handle Grip	480106	1	
113	Bracket HOC	480157W	1	
114	Spring Torsion HOC	480132	1	
115	Rivet	09336	2	
116	Ratchet	480156	1	



# 481A PARTS LIST



**CUSTOMER INFORMATION /NOTES**

Mower Serial No:.....

Engine Model:..... Type:..... Code:.....

Notes:

[Gardening Tools](#)  
[Direct - Leaders in](#)  
[Garden Machinery](#)

<a href="#">Blower Vacs</a>	<a href="#">Brushcutters</a>	<a href="#">Brush cutters</a>	<a href="#">Chainsaws</a>
<a href="#">Chain saws</a>	<a href="#">Cultivators</a>	<a href="#">Cylinder Lawn Mowers</a>	<a href="#">Cylinder Mowers</a>
<a href="#">Echo Chainsaws</a>	<a href="#">Echo Strimmers</a>	<a href="#">Electric Chainsaws</a>	<a href="#">Fertiliser Spreaders</a>
<a href="#">Garden Blowers</a>	<a href="#">Garden Rollers</a>	<a href="#">Garden Shredders</a>	<a href="#">Garden Tractors</a>
<a href="#">Garden Vacuums</a>	<a href="#">Hayter Lawn Mowers</a>	<a href="#">Hedge Cutters</a>	<a href="#">Hedgecutters</a>
<a href="#">Hover Mowers</a>	<a href="#">Husqvarna Chainsaws</a>	<a href="#">Kawasaki Brush Cutters</a>	<a href="#">Kawasaki Strimmers</a>
<a href="#">Lawn Mowers</a>	<a href="#">Lawn Scarifiers</a>	<a href="#">Lawn Tractors</a>	<a href="#">Leaf Blowers</a>
<a href="#">Leaf Vacuums</a>	<a href="#">Petrol Chainsaws</a>	<a href="#">Petrol Hedge Cutters</a>	<a href="#">Ride on Lawn Mowers</a>
<a href="#">Ride on Mowers</a>	<a href="#">Rotary Mowers</a>	<a href="#">Rotavators</a>	<a href="#">Ryobi Strimmers</a>
<a href="#">Scarifiers</a>	<a href="#">Strimmers</a>	<a href="#">Westwood Lawn Tractors</a>	<a href="#">Westwood Ride on Mowers</a>
<a href="#">Westwood Tractors</a>	<a href="#">Petrol Strimmers</a>	<a href="#">Kawasaki Petrol Strimmers</a>	<a href="#">Echo Petrol Strimmers</a>
<a href="#">Petrol Lawn Mowers</a>	<a href="#">Petrol Garden Mowers</a>	<a href="#">Rotary Lawn Mowers</a>	<a href="#">Hayter Garden Mowers</a>
<a href="#">Husqvarna Petrol Chainsaws</a>	<a href="#">Echo Chain Saws</a>	<a href="#">Petrol Chain Saws</a>	<a href="#">Kawasaki Hedge Cutters</a>
<a href="#">Kawasaki Hedgecutters</a>	<a href="#">Garden Hedge Cutters</a>	<a href="#">Electric Hedge Cutters</a>	<a href="#">Allen Hover Mowers</a>
<a href="#">Echo Petrol Chainsaws</a>	<a href="#">Electric Hedgecutters</a>	<a href="#">Rally Ride On Mower</a>	<a href="#">Rally Garden Tractors</a>
<a href="#">Leaf Hoovers</a>	<a href="#">Bosch Hedge Cutters</a>	<a href="#">Bosch Hedge Trimmers</a>	<a href="#">Hedge Trimmers</a>
<a href="#">Petrol Hedge Trimmers</a>	<a href="#">Garden Hedge Trimmers</a>	<a href="#">Garden Roller</a>	<a href="#">Lawn Roller</a>
<a href="#">Rollers</a>	<a href="#">Fertilizer Spreaders</a>	<a href="#">Fertilizer Sprayers</a>	<a href="#">Fertiliser Sprayers</a>
<a href="#">Garden Sprayer</a>	<a href="#">Garden Rotavators</a>	<a href="#">Garden Cultivators</a>	<a href="#">Electric Garden Shredders</a>
<a href="#">Outdoor Shredders</a>	<a href="#">Garden Shredders UK</a>	<a href="#">Petrol Shredders</a>	<a href="#">Lawn Mowers UK</a>
<a href="#">Petrol Rotary Lawn Mowers</a>	<a href="#">Petrol Cyliner Lawn Mowers</a>	<a href="#">Atco Lawn Mowers</a>	<a href="#">Sit on Lawn Mowers</a>
<a href="#">Garden Strimmers</a>	<a href="#">Garden Chainsaws</a>	<a href="#">Backpack Sprayers</a>	<a href="#">Knapsack Sprayers</a>
<a href="#">Pesticide Sprayers</a>	<a href="#">Midgeater Plus</a>	<a href="#">Home Brush Cutters</a>	<a href="#">Home Brushcutters</a>
<a href="#">Snow Sledges</a>	<a href="#">Trampolines</a>	<a href="#">Go Karts</a>	<a href="#">Gritters</a>
<a href="#">Petrol Brush Cutters</a>	<a href="#">Ryobi Brush Cutters</a>	<a href="#">Petrol Garden Strimmers</a>	<a href="#">Hayter Ranger 48 Autodrive</a>
<a href="#">Lawn Sweepers</a>	<a href="#">Leaf Collectors</a>	<a href="#">Petrol Brush Cutters</a>	<a href="#">Petrol Rotary Lawn Mowers</a>

<a href="#">Garden Vacs</a>	<a href="#">Gardena Hedge Cutters</a>	<a href="#">Husqvarna Garden Tractors</a>	<a href="#">Kawasaki Brushcutters</a>
<a href="#">Backpack Blowers</a>	<a href="#">Blower Vac Range</a>	<a href="#">Discounted Brushcutters</a>	<a href="#">Echo Petrol Chainsaws</a>
<a href="#">Three Great Lawn Mowers</a>	<a href="#">Discounted Lawn Mowers</a>	<a href="#">Brush Cutter Selection</a>	<a href="#">Atco Lawn Mowers</a>
<a href="#">Kawasaki Brushcutters</a>	<a href="#">Discounted Brushcutters</a>	<a href="#">Grit Spreaders</a>	<a href="#">Salt Spreaders</a>
<a href="#">Husqvarna Rider Tractors</a>	<a href="#">Sledges</a>		